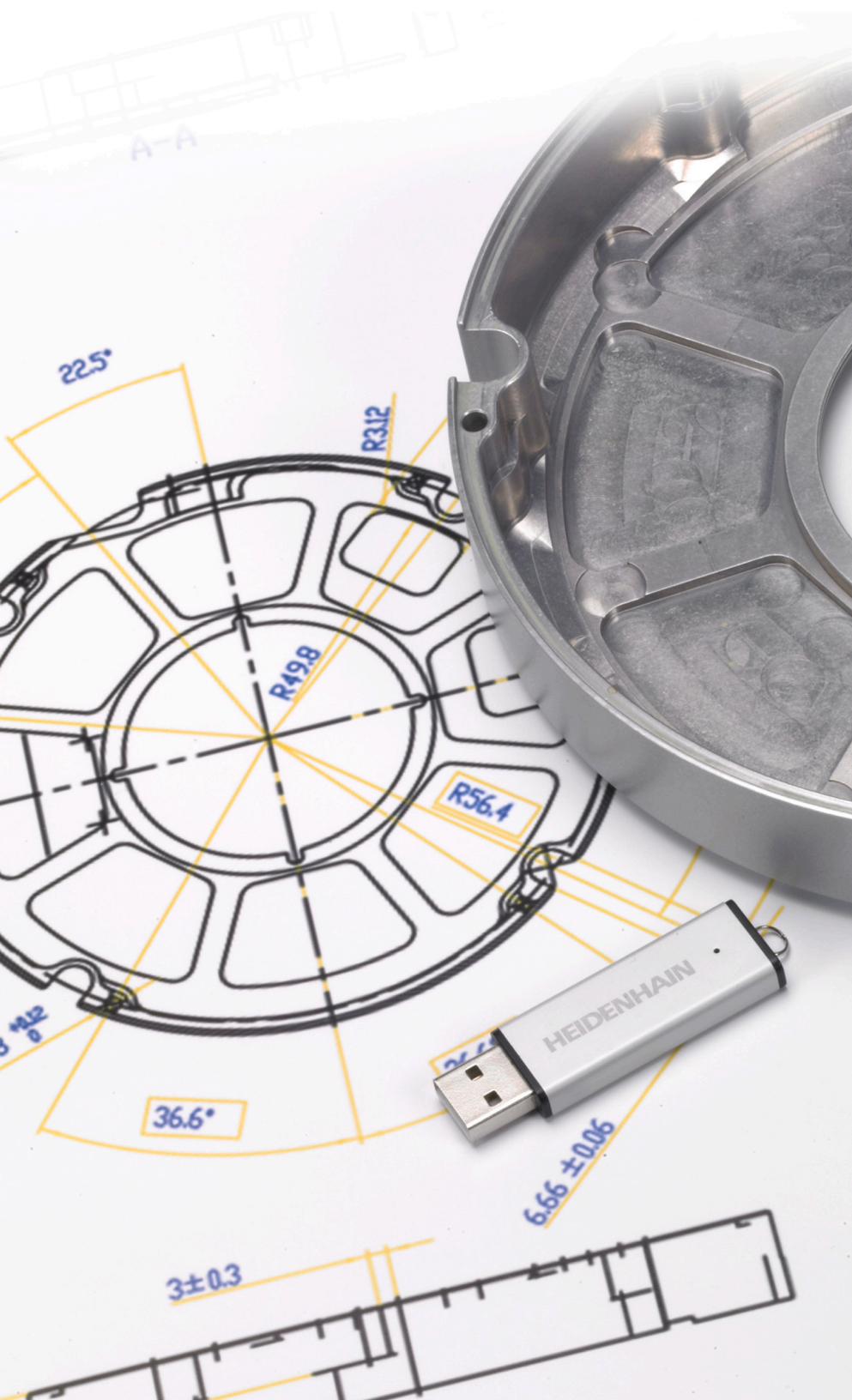




# HEIDENHAIN



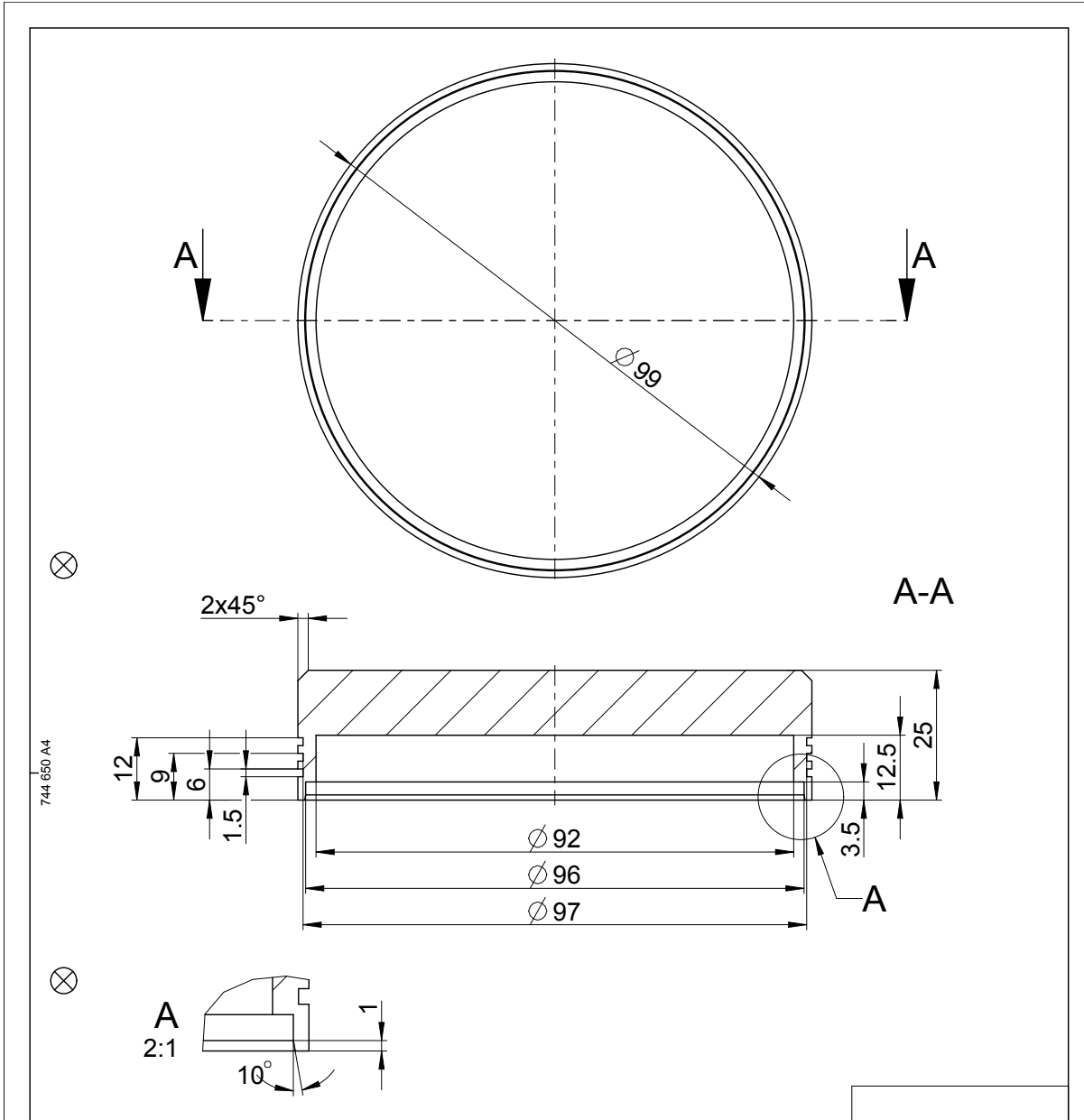
## Solutions CN

Jeu de dessins 13003

Français (fr)  
4/2017

# 1 Jeu De Dessins\_13003

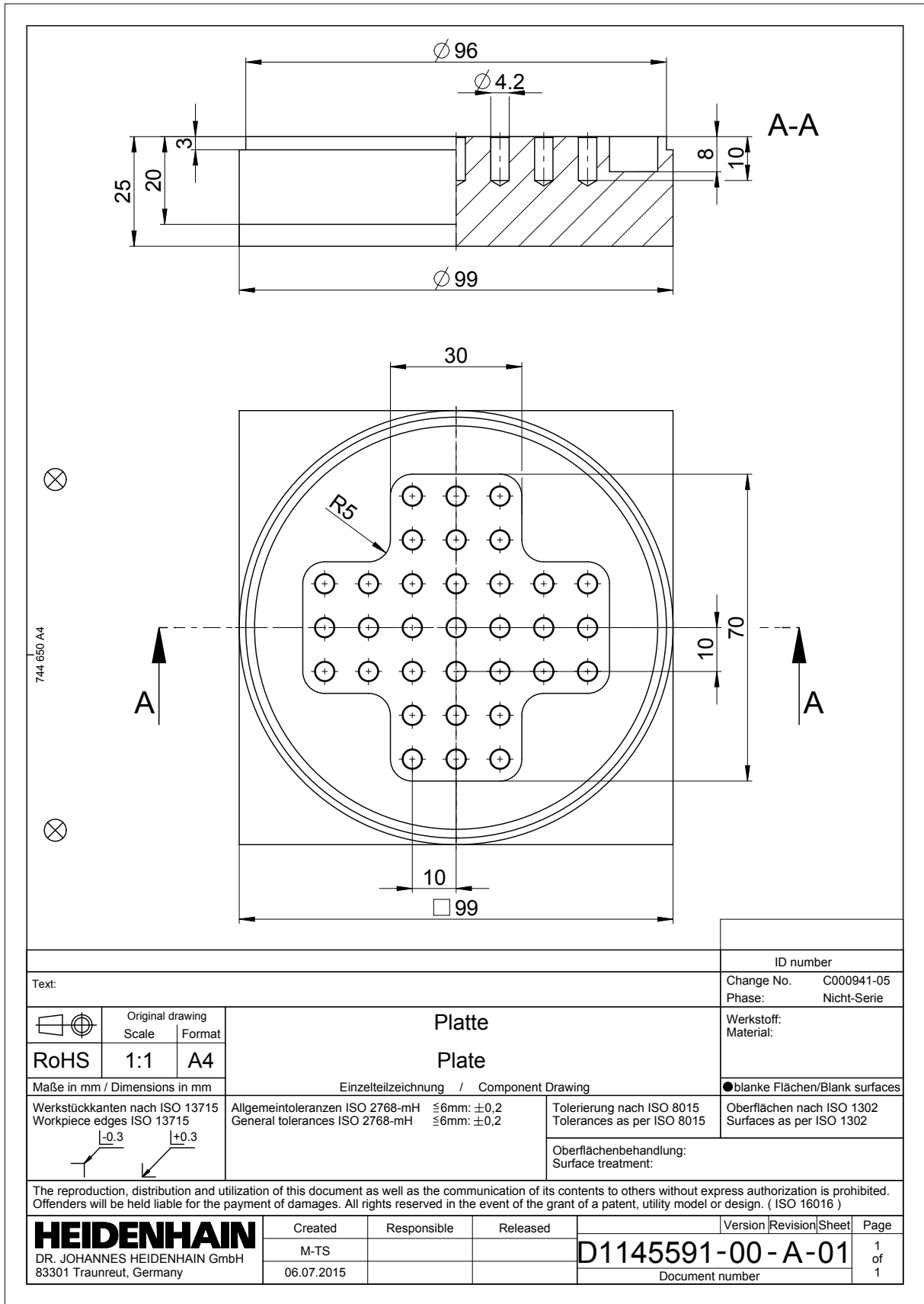
## Dessin du couvercle



744 650 A4

Text:			ID number	
			Change No. C000941-05	
			Phase: Nicht-Serie	
	Original drawing		Welle Shaft	
	Scale	Format		
RoHS	1:1	A4	Werkstoff: Material:	
Maße in mm / Dimensions in mm			Einzelteilzeichnung / Component Drawing	
Werkstückkanten nach ISO 13715 Workpiece edges ISO 13715		Allgemeintoleranzen ISO 2768-mH General tolerances ISO 2768-mH	Tolerierung nach ISO 8015 Tolerances as per ISO 8015	●blanke Flächen/Blank surfaces Oberflächen nach ISO 1302 Surfaces as per ISO 1302
			Oberflächenbehandlung: Surface treatment:	
The reproduction, distribution and utilization of this document as well as the communication of its contents to others without express authorization is prohibited. Offenders will be held liable for the payment of damages. All rights reserved in the event of the grant of a patent, utility model or design. ( ISO 16016 )				
<b>HEIDENHAIN</b> DR. JOHANNES HEIDENHAIN GmbH 83301 Traunreut, Germany		Created	Responsible	Released
		M-TS		
		Version   Revision   Sheet   Page		
		D1145556-00-A-01		1 of 1
		Document number		

Dessin de la pièce inférieure



Text:		ID number									
Change No. C000941-05		Phase: Nicht-Serie									
<table border="1"> <tr> <td></td> <td>Original drawing</td> <td>Scale</td> <td>Format</td> </tr> <tr> <td>RoHS</td> <td>1:1</td> <td>A4</td> <td></td> </tr> </table>		Original drawing	Scale	Format	RoHS	1:1	A4		<b>Platte</b> <b>Plate</b>		Werkstoff: Material:
	Original drawing	Scale	Format								
RoHS	1:1	A4									
Maße in mm / Dimensions in mm		Einzelteilzeichnung / Component Drawing									
Werkstückkanten nach ISO 13715 Workpiece edges ISO 13715 		Allgmeintoleranzen ISO 2768-mH $\leq 6\text{mm}$ : $\pm 0,2$ General tolerances ISO 2768-mH $\leq 6\text{mm}$ : $\pm 0,2$	Tolerierung nach ISO 8015 Tolerances as per ISO 8015 Oberflächenbehandlung: Surface treatment:								
		●blanke Flächen/Blank surfaces Oberflächen nach ISO 1302 Surfaces as per ISO 1302									
The reproduction, distribution and utilization of this document as well as the communication of its contents to others without express authorization is prohibited. Offenders will be held liable for the payment of damages. All rights reserved in the event of the grant of a patent, utility model or design. ( ISO 16016 )											
<b>HEIDENHAIN</b> DR. JOHANNES HEIDENHAIN GmbH 83301 Traunreut, Germany		Created	Responsible								
		M-TS									
06.07.2015		Released									
		Version	Revision								
		D1145591-00-A-01									
		Document number									
		Sheet	Page								
		1	1								